

Quick start Guide - DMX SPI

This quick start guide contains important informations on the safe operation of the product. Read and follow the safety advice and instructions given. Retain the quick start guide for future reference. If you pass the product on to others please include this quick start guide.

Safety instruction

Intended use:

This device is intended to control lighting devices and effects via computer using appropriate software. Any other use or use under other operating conditions is considered to be improper and may result in personal injury or property damage. No liability will be assumed for damages resulting from improper use.

General handling:

- Never use force when handling the product
- Never immerse the product in water
- Just wipe it with a clean dry cloth.
- Do not use liquid cleaners such as benzene, thinners or flammable cleaning agents

Never use the product:

- In direct sunlight
- In conditions of extreme temperature or humidity
- In extremely dusty or dirty areas
- At locations where the unit can become wet
- Near magnetic fields

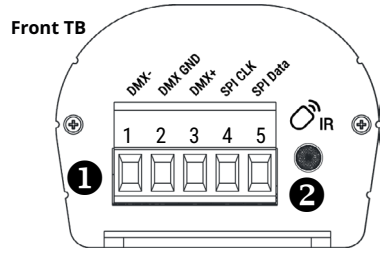


Choking hazard!

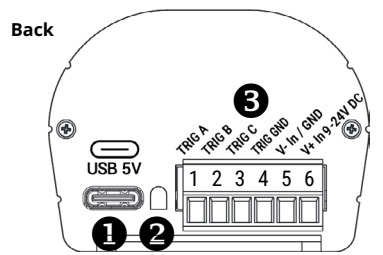
Danger for children:

Ensure that plastic bags, packaging... are disposed of properly and are not within reach of babies and young children. Choking hazard! Ensure that children do not detach any small parts from the product. They could swallow the pieces and choke!

Features	
DMX Input	1x512 channels RDM
SPI Output	3072 chnnels / 170 Px. RGB / 128 Px. RGBW
DMX-RDM	Compatible
Options	Pixel Grouping, Start DMX address, Pixel repeating
Ports	USB-C
Connector	Screw terminal block
Power Input	5V USB / 9~24V, 0.3A
Dimensions (mm)	H : 103 (4.06 in) / W : 50mm(1.96in) / D : 37,5mm (1.47in)
Net Weight	0.1 Kgs
Gross weight	0.16 Kgs
Power / Consumption	0,43 W
High Voltage Protection	Fuses & diodes 3KV, 0.15A on DMX and 1.5K, 0.3A on Power
Housing	Aluminium
Operating environment	Indoor
IP rating	IP40
Storage	keep dry
Operating Temperature	-45~+85°C
Certifications	CE, RoHS
International Warranty	yes, 1 year



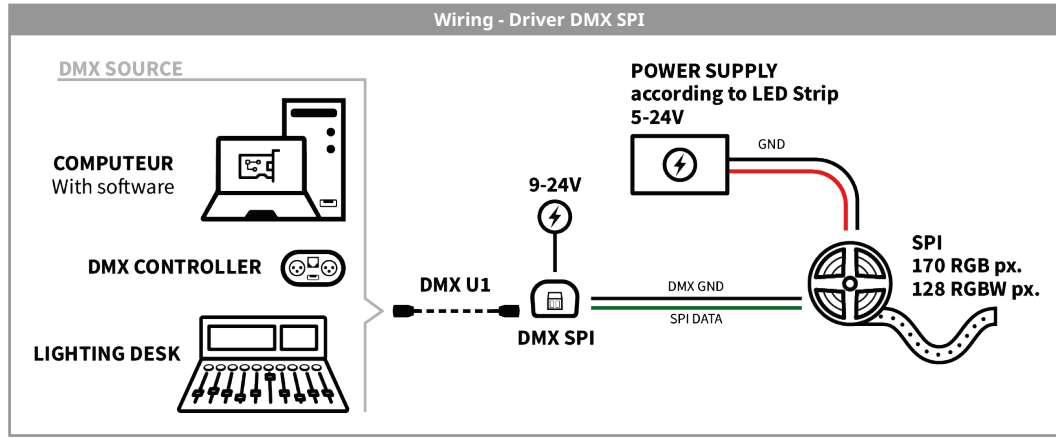
- Front of TB version**
- 1** Terminal Block connector with screw
 - 1: DMX -
 - 2: DMX GROUND
 - 3: DMX +
 - 4: SPI Clock
 - 5: SPI Data
 - 2** Infrared Receiver LED, (not available, need upgrade)



- Back**
- 1** USB-C Connector (5V DC input)
 - 2** USB Signal LED
 - 3** Terminal Block Connector with screws
 - 1 to 3 : Trigger A, B, C (not available need upgrade)
 - 4 : Trigger Ground
 - 5 : V- input / Ground
 - 6 : V+ Input 9~24V DC ; 0,3A

USB Signal LED operating states: G=Green; R = Red

G Off + R Off	Interface not connected
G On + R Off	Interface powered (USB / External), no scene stored
Alternating G On, R On	Bootloader Mode active
G Fast Flash + R Off	Active USB communication (Live)
G+R Fast Flash	Blacklist active
Y Fast Flash	SPI Driver Mode, DMX-IN to SPI conversion



Caution: Check the contents of the package and the condition of the interface after unpacking! Contact your supplier if something is missing or is damaged. Do not use the device if it appears to be damaged!

Technical support, Free Software and Application :

Technical support : <https://chromateq.com/contact/>
Software download : <https://chromateq.com/dmx-software-downloads/>

System Requirements:

- Windows ©, Mac OS ©, Linux © (32/64 bits)
- 2Ghz CPU (2 cores), 8 Gb RAM
- 2Gb RAM graphic card (for 3D only)
- 600 Mb disk, 1920x1080 screen resolution
- 1 USB & Ethernet Port (for Art-Net & sACN)

CHROMATEQ SARL

191 allée de Lauzard - Bat.B, Rdc 1
 34980 Saint Gely du Fesc - FRANCE
 Phone : +33 (0) 952210755 (France)
 eMail : info@chromateq.com

