

Quick start Guide - DIN-E 512/1024/2048

This quick start guide contains important informations on the safe operation of the product. Read and follow the safety advice and instructions given. Retain the quick start guide for future reference. If you pass the product on to others please include this quick start guide.

Safety instruction

Intended use:

This device is intended to control lighting devices and effects via computer using appropriate software. Any other use or use under other operating conditions is considered to be improper and may result in personal injury or property damage. No liability will be assumed for damages resulting from improper use.

General handling:

- Never use force when handling the product
- Never immerse the product in water
- Just wipe it with a clean dry cloth.
- Do not use liquid cleaners such as benzene, thinners or flammable cleaning agents

Never use the product:

- In direct sunlight
- In conditions of extreme temperature or humidity
- In extremely dusty or dirty areas
- At locations where the unit can become wet
- Near magnetic fields



Choking hazard!

Danger for children:

Ensure that plastic bags, packaging... are disposed of properly and are not within reach of babies and young children. Choking hazard! Ensure that children do not detach any small parts from the product. They could swallow the pieces and choke!

Features

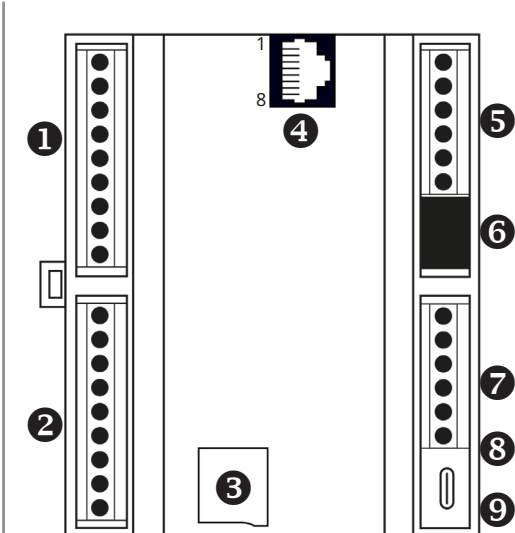
Hardware features:

- Connectors : USB-C, Screw terminal (2x9+2x6 pins) Ethernet and RJ45 (External contact x12, Master/Slave, Infrared, Light Sensor, 5S232 in/out)
- DMX Outputs : up to 2048 (4x512) on screw terminal block
- Memory Capacity : 20000 steps with 16 hp., 60000 steps with 512 hp., 3000 steps with 1024 hp.
- External memory : Micro SD card (accepts FAT, FAT 32, Class 10 SD card up to 256 GB)

- CPU : 32-bit processor
- Power supply : 5V to 24V DC, 0.2A/5V via USB-C
- Power / Consumption : 0.3 ~ 0.5 W
- IP rating : IP20
- Dimensions : H: 106 mm (4,17), W: 90 mm (3,54), D: 59 mm (2,32)
- Operating Temperature : - 25 to +70 C°
- International Warranty : 5 years

Connectivity

- 1 9 Pins Terminal Block
 - GND
 - VCC 9-24V
 - TRIG A/1, B/2, 3, C/4, 5, 6, 7
- 2 9 Pins Terminal Block
 - TRIG D/8, 9,10, 11, E/16
 - 5V OUT
 - GND
 - RS232 Rx
 - RS232 Tx
- 3 Micro SD Class 10
- 4 RJ45 Pinout
 1. M/S Clock
 2. M/S Data+
 3. Light+
 4. IR+
 5. RS232 Tx
 6. RS232 Rx
 7. 5V
 8. GND



- 5 6 pins Terminal Block
 - DMX 1-
 - DMX 1+
 - DMX GND
 - DMX 2-
 - DMX 2+
 - DMX M/S Clock
- 6 RJ45 Ethernet
- 7 6 pins Terminal Bloc
 - DMX 3-
 - DMX 3+
 - DMX GND
 - DMX 4-
 - DMX 4+
 - M/S Data+
- 8 LED
- 9 USB-C

USB Signal LED operating states	
OFF	Device is not powered
Short blink 1 time every 0,4 s.	PC Mode USB
Short blink 1 time every 0,2 s.	PC Mode Ethernet
Led On	Standalone, no scene in memory

Long blink 1 time every 0,2 s.	Standalone
Long blink 2 time every 0,2 s.	Standalone SD card
Short blink 1 time every 1,8 s.	Node ArtNet
Short blink 2 time every 1,8 s.	Node sACN
Short blink 1 time every 0,25 s.	Bootloader mode

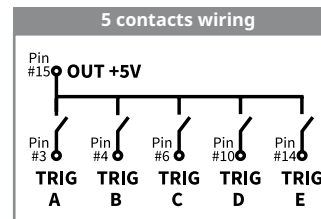
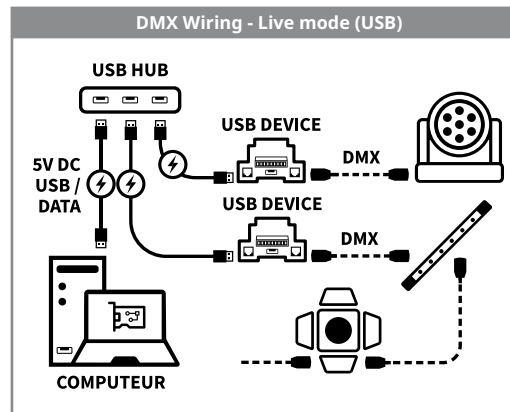
Trigger Options :

- **On** : Starts scene if not playing
- **On / Off** : Starts or stops scene with each contact action.
- **Auto Release** : Scene plays when contact is active, scene stops when contact is inactive.
- **Restart** : Scene restarts with each contact action.
- **If something plays** : Start the scene only when a scene is playing.

- **If nothing plays** : Start the scene only when nothing is playing.

Trigger actions are activate on 5V DC pin of the PCB.

Special trigger commands : Stop, pause, black out, scene +/-, dimmer +/-, speed +/-, colour +/-, zones +/-, zone A-B-C-D-E-global



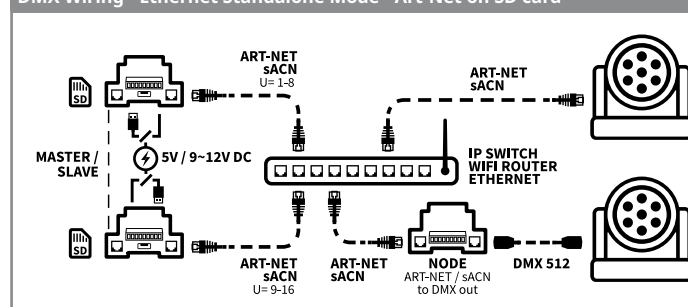
Contact	Binary value
TRIG A / T1	01
TRIG B / T2	02
TRIG C / T3	04
TRIG D / T4	08
TRIG E / T5	16

Ethernet connection and configuration (software options or DEVICETOOL)

- DHCP is Default mode: IP address is assigned automatically by the DHCP server (IP Switch or Wifi router)
- Static IP mode: The IP address is fixed by the user. The IP address won't change.

Default IP address: 192.168.0.5
Default Subnet mask: 255.255.255.0

DMX Wiring - Ethernet Standalone Mode - Art-Net on SD card



Ethernet connection mode :

Setup an identical IP address range like 192.168.0.x. and setup an identical subnet mask to 255.255.255.0 to the device and computer.

NODE Art-Net mode :

With the Device tool or the software. Setup the "Short Name" and the "Long Name". Choose the DMX ports or outputs of the Node by modifying the "SubNet" and "DMX Universe". Then apply the modifications.

NODE sACN mode :

Setup and choose the DMX universes. Then applied

Always restart the device after IP or mode configuration: unplug it from the power supply

Programming the device and DMX Playback - StandAlone mode

- Download and install the free lighting control software and USB drivers.
- Connect your device to your computer via the included USB-C cable.
- Start the software (your interface will be detected automatically).
- Configure the software according your DMX lighting fixture setting.
- Program scenes and sequences using the lighting control software.

- Play your show in live mode.
- To play in standalone mode, save the programmed scenes and sequences into the internal memory.
- Close the software. Your panel is now ready to operate in standalone mode.

Caution: Check the contents of the package and the condition of the interface after unpacking! Contact your supplier if something is missing or is damaged. Do not use the device if it appears to be damaged!

Technical support, Free Software and Application :

Technical support : <https://chromateq.com/contact-form/>
Software download : <https://chromateq.com/dmx-software-downloads/>

System Requirements:

- Windows ©, Mac OS ©, Linux © (32/64 bits)
- 2Ghz CPU (2 cores), 8 Gb RAM
- 2Gb RAM graphic card (for 3D only)
- 600 Mb disk, 1920x1080 screen resolution
- 1 USB & Ethernet Port (for Art-Net & sACN)

CHROMATEQ SARL

191 allée de Lauzard - Bat.B, Rdc 1
34980 Saint Gely du Fesc - FRANCE
Phone : +33 (0) 952210755 (France) / +86 20 22889704 (China)
Mobile : +33 651509358 (France) / +86 13422062209 (China)
eMail : info@chromateq.com

