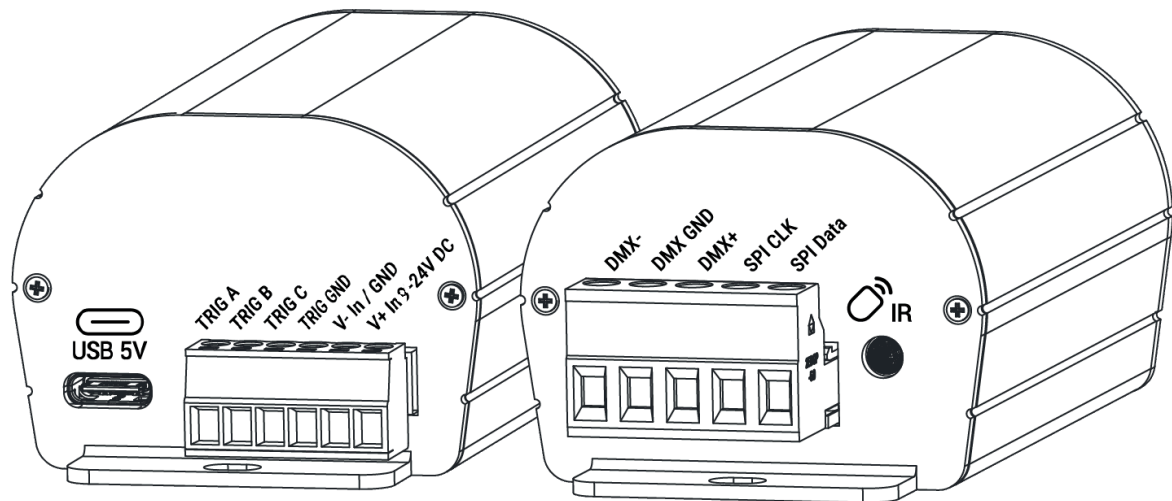
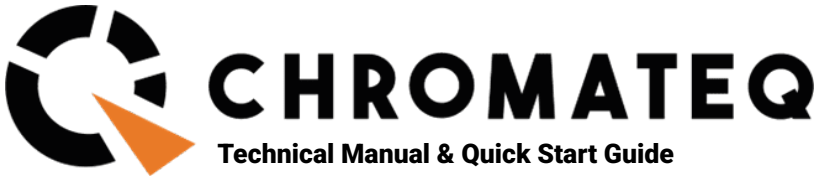


CLUB SPI

Convert Data to SPI



Datasheet &
Quickstart Guide



Congratulations on your purchase of a CHROMATEQ controller.

Please read this manual carefully and thoroughly before using the CLUB SPI Chromateq.

The information presented here provides a useful introduction to the wide range of features, settings and functions available in this compact and versatile CLUB SPI.

The CLUB SPI Technical Manual is written in English and French.
(Le manuel technique du CLUB SPI est rédigé en anglais et en français.)

All products and software are developed and designed in France.

CHROMATEQ SARL
191 Allée de Lauzard 34980 St Gély du Fesc FRANCE VAT: FR18521458034 Siret: 52145803400027 Web & E-mail:
www.chromateq.com Phone: +33 952210755 / +86 13422062209 Whatsapp: +8613422062209 Wechat: Chromateq QQ:
2908265661

Twitter: <https://twitter.com/Chromateq>
Facebook: <https://www.facebook.com/ChromateqCompany/>
YouTube: <https://www.youtube.com/c/chromateq>

Copyright Information and Disclaimer

Copyright © 2026 - CHROMATEQ. All rights reserved.
No part of this publication may be reproduced, distributed or transmitted in any form or by any means whatsoever, including photocopying, recording or other electronic or mechanical methods, without the prior written permission of the publisher, except in the case of brief quotations in criticisms and certain other non-commercial uses permitted by copyright law.

For any request for authorization, write to the publisher at the address above.

Trademark credits

Microsoft and Windows are U.S. registered trademarks of Microsoft Corporations. Art-Net™ - Designed by and Copyright Artistic License Holdings Ltd. All other products mentioned herein may be trademarks of their respective ® companies.

Package Contents

- 1x CLUB SPI
- 1x USB cable
- 1x Power supply 9-12V DC (Euro/US socket)
- 1x software download link and technical documentation

Caution: Check the contents of the package and the condition of the interface after unpacking! Contact your supplier if something is missing or is damaged. Do not use the device if it appears to be damaged!

Table des matières

Introduction.....	4
Features.....	4
CHROMATEQ's supported ICs and protocols.....	5
Housing connectivity.....	7
Front panel.....	7
Back panel.....	7
USB Signal LED operating states.....	7
How to use IR Remote.....	9
Remote Control Unit (2022).....	9
Functioning for Interfaces without Mode and older interfaces.....	9
Functioning for Interfaces with Modes.....	9
Functions descriptions.....	10
IR Codes.....	10
Housing dimensions.....	11
Front with Terminal Block	11
Back without Terminal Block.....	11
Top.....	12
Wiring Diagram.....	13
Stand-alone Mode.....	13
Driver LED Mode.....	13

Introduction

Chromateq's latest innovative USB to SPI Stand Alone interface with SPI and DMX512 ports. Thanks to its tiny and compact size, small integration space requirement and SPI LED communication, the CLUB SPI is the perfect LED controller and LED driver for all LED lighting installations and LED projects.

The CLUB SPI convert data from the software into the SPI format directly. All is included in the same device to output SPI directly, and there is no need of a DMX controller associated with a SPI driver for installations and lighting projects.

The device benefit from our popular and powerful stand alone features and can easily backup a show in its memory and play back without a computer.

The interface has several triggers options like DMX input, dry Smart Contacts and an infrared remote control, it can easily be associated to any other lighting installation system and all that make it essential to all LED projects.

Features

DMX Outputs	1x512 (insulated + boost)
SPI Out (Data + Clock)	1x 1020 Px. RGB / 3072 Ch.
DMX-RDM	Compatible
Ports	USB-C
Connector	Screw terminal block
Smart Contact Port (5V)	3
Infrared Triggers by remote	Yes
Power DC	5V USB / 9-24V
Memory	32MB
IP rating	IP40
Dimensions (mm)	H : 103 (4.06 in) / W : 50mm(1.96in) / D : 37,5mm (1.47in)
Net Weight	0.1 Kgs
Gross weight	0.16 Kgs
Power / Consumption	0,43 W
High Voltage Protection	Yes, fuses & diodes 3KV, 0.15A on DMX and 1.5K, 0.3A on Power
Housing	Strong Aluminium
Operating environment	Indoor
Storage	keep dry
Operating Temperature	-45~+85°C
Certifications	CE, RoHS
International Warranty	yes, 3 years

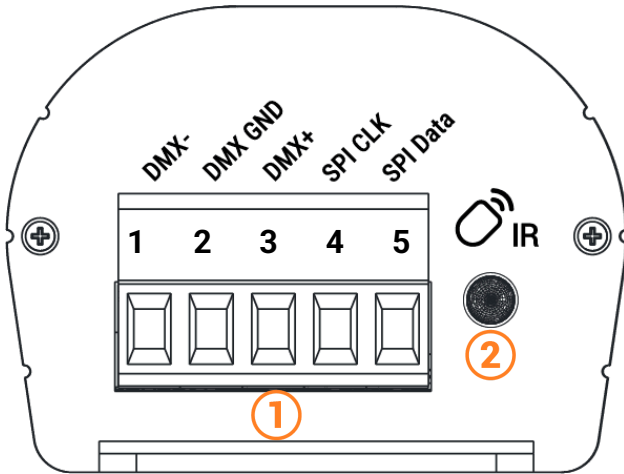
CHROMATEQ's supported ICs and protocols

Other ICs	WS2812	WS2811-S	WS2811-F	WS2813	WS2815	SK6812	WS2801	LPD8806	LPD6803	APA102	TYPE	Power
APA102										Yes	RGB	5V
CS8812	Yes										RGB	12V
D705									Yes		RGB	12V
FW1906	Yes		Yes	Yes	Yes	Yes					RGBWAL	5-24V
GS8206	Yes										RGB	5-24V
GS8208	Yes										RGB	12V
HD107S	Yes	Yes	Yes	Yes	Yes	Yes					RGB	5V
LPD1101									Yes		RGB	5V
LPD6803									Yes		RGB	5-12V
LPD8803								Yes			RGB	5-12V
LPD8806								Yes			RGB	5-12V
SK6805	Yes		Yes	Yes	Yes	Yes					RGBW	5V
SK6812						Yes					RGBW	5V
SK6813	Yes	Yes	Yes	Yes	Yes	Yes					RGB	5-12V
SK9822										Yes	RGB	5V
SM16703	Yes		Yes	Yes	Yes	Yes					RGBW	5-24V
SM16703P	Yes	Yes									RGB	5-24V
SM16704	Yes	Yes									RGBW	5-24V
TM1804	Yes										RGB	5-24V
TM1809	Yes										RGB	5-24V
TM1809	Yes										RGBW	5-32V
TM1814	Yes	Yes									RGBW	5-32V
TM1903	Yes		Yes	Yes	Yes	Yes					RGB	5-24V
TM1914	Yes	Yes	Yes	Yes	Yes	Yes					RGB	5-24V
TM1934	Yes		Yes	Yes	Yes	Yes					RGB	5-24V
UCS1903	Yes		Yes	Yes	Yes	Yes					RGB	5-12V
UCS1909	Yes										RGB	5V
UCS1912	Yes										RGB	5V
UCS2903	Yes										RGB	5-12V
UCS2904B	Yes	Yes									RGBW	5-24V
UCS2909	Yes										RGB	5V
UCS2912	Yes										RGB	5-24V
UCS6909									Yes		RGB	5V
UCS6912									Yes		RGB	5V
WS2801							Yes				RGB	5V
WS2803							Yes				RGB	5V
WS2811	Yes		Yes	Yes	Yes	Yes					RGB	5V
WS2812	Yes										RGB	5-12V
WS2812B	Yes		Yes	Yes	Yes	Yes					RGB	5-12V

WS2813	Yes	Yes	Yes	Yes	Yes	Yes					RGB	5-12V
WS2814	Yes		Yes	Yes	Yes	Yes					RGBW	5-12V
WS2815	Yes	Yes			Yes	Yes					RGB	12V
WS2815B	Yes	Yes	Yes	Yes	Yes	Yes					RGB	12V
WS2818	Yes		Yes	Yes	Yes	Yes					RGB	5-24V

Housing connectivity

Front panel

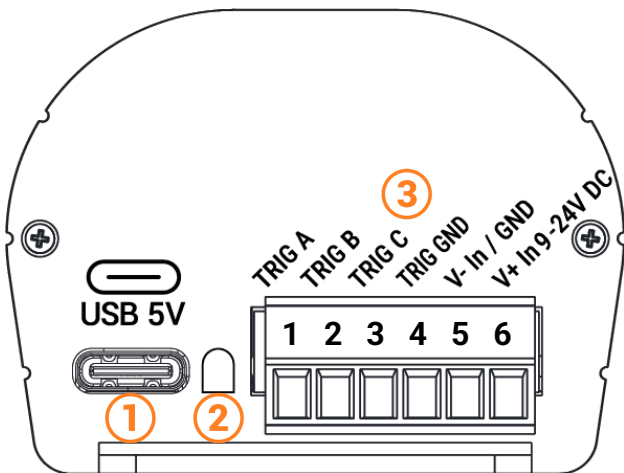


1. Terminal Block Connector with screws :

1. DMX-
2. DMX Ground
3. DMX +
4. SPI Clock
5. SPI Data

2. Infrared Receiver LED, (Remote unit include)

Back panel



1. USB-C Connector (5V DC input)

2. LED Signal

3. Terminal Block Connector with screws :

1. Trigger A
2. Trigger B
3. Trigger C
4. V- Input / Ground
5. V+ Input 9-24V DC

USB Signal LED operating states

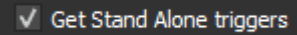
G=Green; Y=Yellow; R = Red

LED State	Meaning / Operating Mode
G Off + Y Off	Interface not connected
G On + Y Off	Interface powered (USB / External), no scene stored
G On – 3× Flash	Bootloader preparation phase
Alternating G On ↔ Y On	Bootloader Mode active
G Fast Flash + Y Off	Active USB communication (Live)

G Continuous Fast Flash + Y Off	Stand-alone mode active with stored scenes
G + Y Fast Flash (simultaneous)	Blacklist active
R Fast Flash	SPI Driver Mode, DMX-IN to SPI conversion

How to use IR Remote

Infrared Remote triggers work in Stand Alone and in Live mode when "Get Stand Alone Triggers" is checked in software option window, at the bottom of "Device" section.



Remote Control Unit (2022)

Functioning for Interfaces without Mode and older interfaces.



1. **Scene trigger buttons** (1 to 10) assigned via the software.
2. **Scene selector**, next or previous.
3. **Speed value** decrease
4. **Speed value** increase
5. **Dimmer value** decrease
6. **Dimmer value** increase
7. **Blackout**: Stops the current scene and plays the scene 00. All DMX levels are set to zero.
8. **Pause**: Freezes the current scene in its state

Functioning for Interfaces with Modes



1. **Scene trigger buttons** (1 to 15) assigned via the software Trigger 1 to 15 with 1 Zone. Trigger 1 to 9 with several Zone.
2. **5 Control Zones** available: A, B, C, D, E and Global Zone: [] to trigger each Zone in the same time.
3. **Increase or decrease** the value of the selected mode: Scene +/-, Dimmer +/-, Speed +/-, Color +/-.
4. **Release Color mode**
5. **Color mode**
6. **Scene mode**
7. **Dimmer mode**
8. **Speed mode**
9. **Blackout**: Stops the current scene and plays the scene 00. All DMX levels are set to zero.
10. **Pause**: Freezes the current scene in its state.

Functions descriptions

Scene +/-: Each push selects the next or previous scene of the current Zone. Scene are play immediately.

Master Dimmer: Increases or decreases the RGB, CMY and dimmer channels of the current zone. The CMY, RGB, Dimmer channels are defined in the Profile of the fixture and the stand-alone mode.

Scene Speed: Increases or decreases the speed of the current scene in the current zone. A different speed can be chosen separately for each scene.

Zones: Choose a Zone (A,B,C,D,E or Global []). Then select a scene or mode to trig in the selected zone.

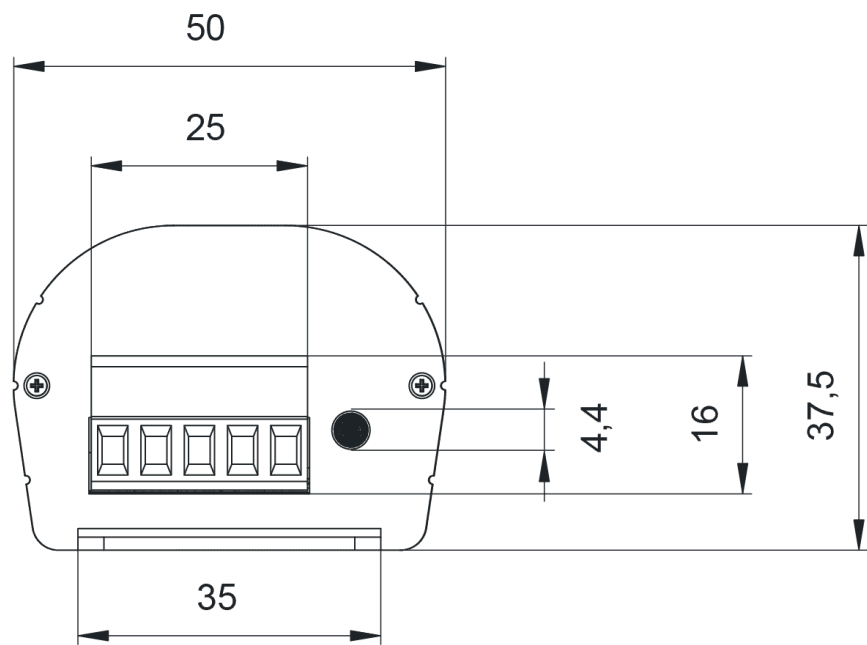
Modes: Select a Mode from Speed, Dimmer, Color or Scenes, then use +/- to change values.

IR Codes

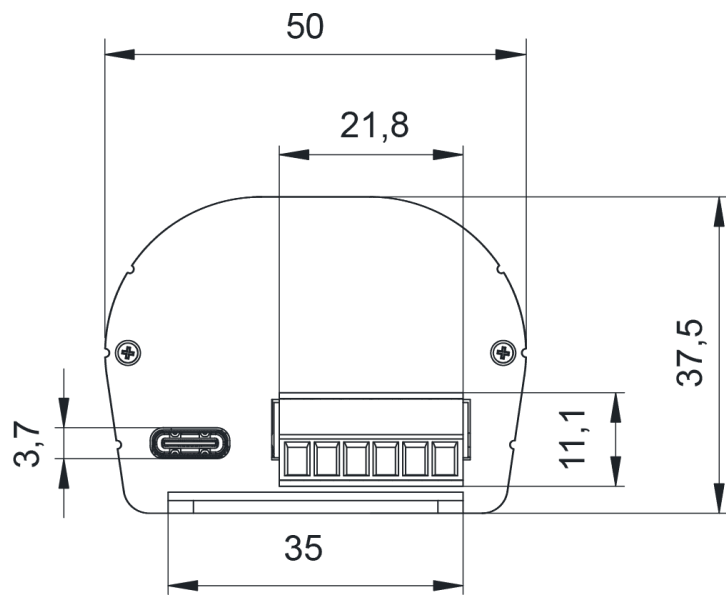


Housing dimensions

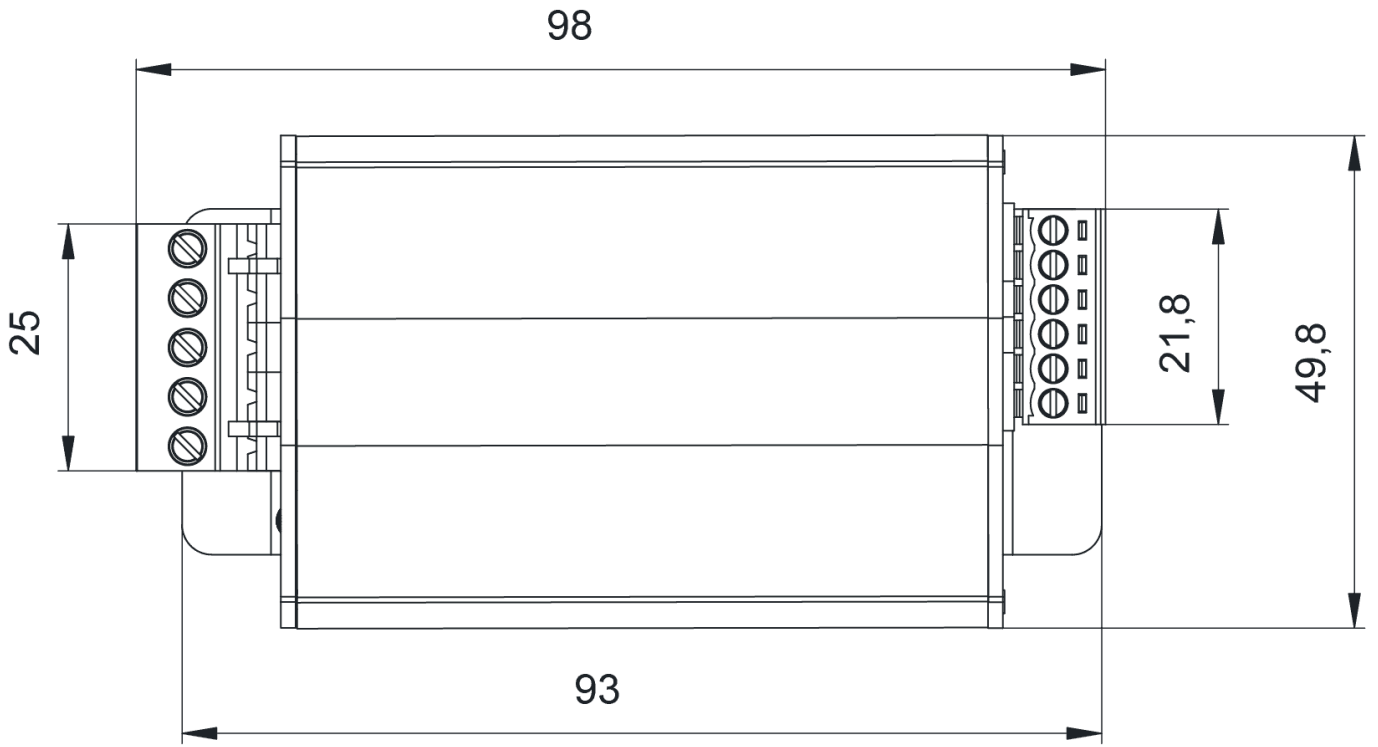
Front with Terminal Block



Back without Terminal Block

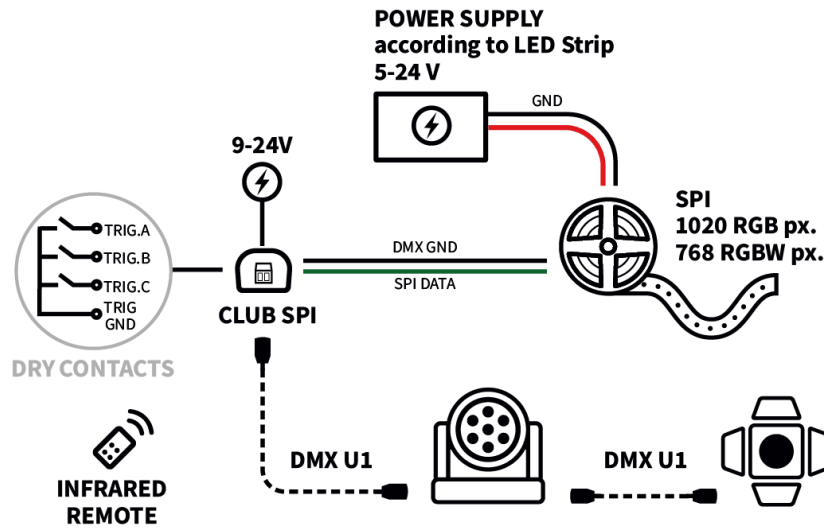


Top

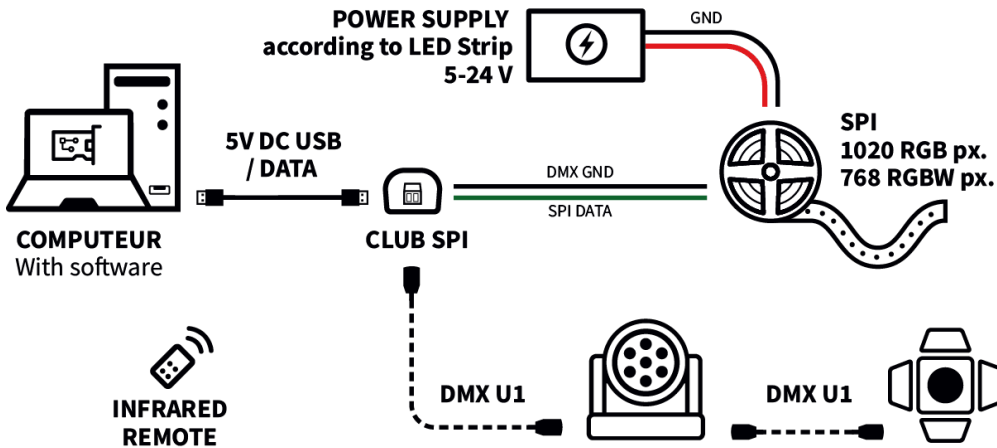


Wiring Diagram

Stand-alone Mode



Live Mode



Driver LED Mode

