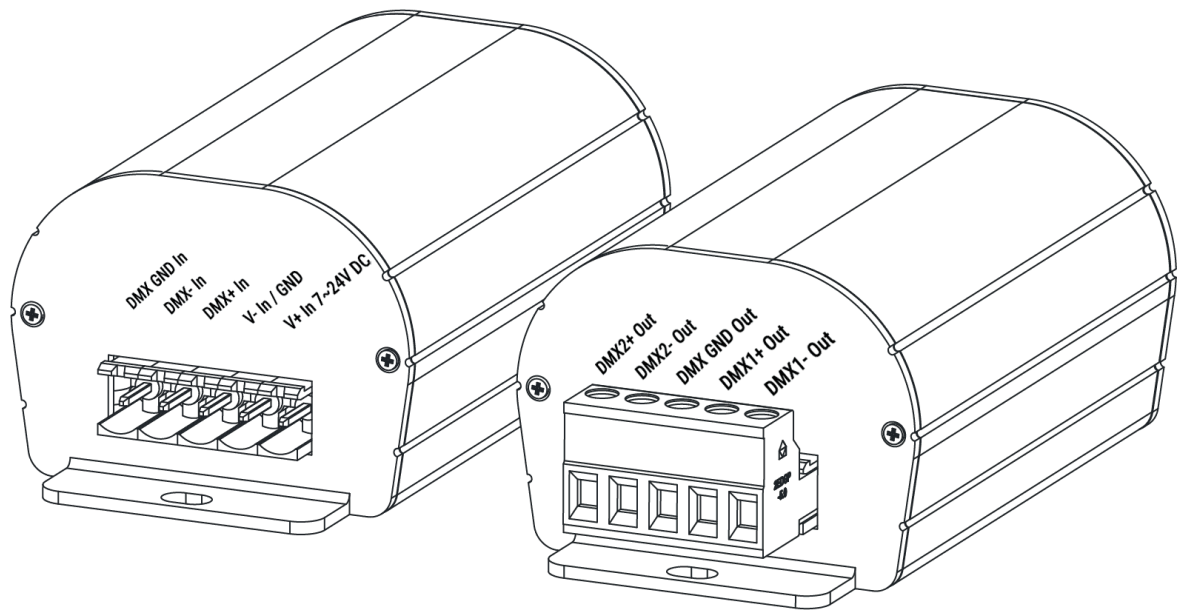


# SPLIT RDM

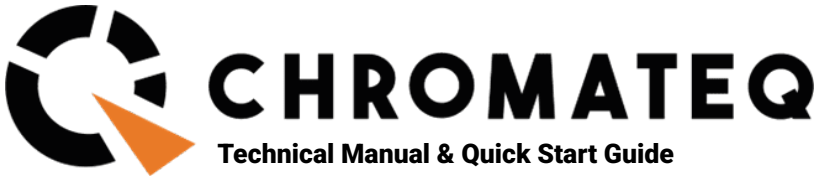
## DMX-RDM Splitter & Booster



Datasheet & Quickstart Guide

## Table of content

Introduction.....	4
Main Features.....	4
Housing connectivity.....	5
Front panel - DMX Input .....	5
Back panel - DMX Output .....	5
Wiring diagram .....	6
Housing dimensions .....	7
Front with 5 pins Terminal Block .....	7
Back without 5 pins Terminal Block .....	7
Top.....	8



Congratulations on your purchase of a CHROMATEQ device.

Please read this manual carefully and thoroughly before using the SPLIT RDM Chromateq.

The information presented here provides a useful introduction to the wide range of features, settings and functions available in this compact and versatile SPLIT RDM.

The SPLIT RDM Technical Manual is written in English and French.  
(Le manuel technique du SPLIT RDM est rédigé en anglais et en français.)

All products and software are developed and designed in France.

CHROMATEQ SARL  
191 Allée de Lauzard 34980 St Gély du Fesc FRANCE VAT: FR18521458034 Siret: 52145803400027 Web & E-mail:  
www.chromateq.com Phone: +33 952210755

Facebook: <https://www.facebook.com/ChromateqCompany/>  
YouTube: <https://www.youtube.com/c/chromateq>

-----  
**Copyright Information and Disclaimer**

Copyright © 2026 - CHROMATEQ. All rights reserved.  
No part of this publication may be reproduced, distributed or transmitted in any form or by any means whatsoever, including photocopying, recording or other electronic or mechanical methods, without the prior written permission of the publisher, except in the case of brief quotations in criticisms and certain other non-commercial uses permitted by copyright law.

For any request for authorization, write to the publisher at the address above.

**Trademark credits**

Microsoft and Windows are U.S. registered trademarks of Microsoft Corporations. Art-Net™ - Designed by and Copyright Artistic License Holdings Ltd. All other products mentioned herein may be trademarks of their respective ® companies.

**Package Contents**

- 1x SPLIT RDM
- 1x 9V Power supply unit (Euro or US plug)
- 1x Technical documentation

<p><b>Caution: Check the contents of the package and the condition of the interface after unpacking! Contact your supplier if something is missing or is damaged. Do not use the device if it appears to be damaged!</b></p>
--

## Introduction

With its compact size, power protections and RDM capacity, the SPLIT RDM duplicate the signal and is the essential tool for all your lighting installations and DMX wiring.

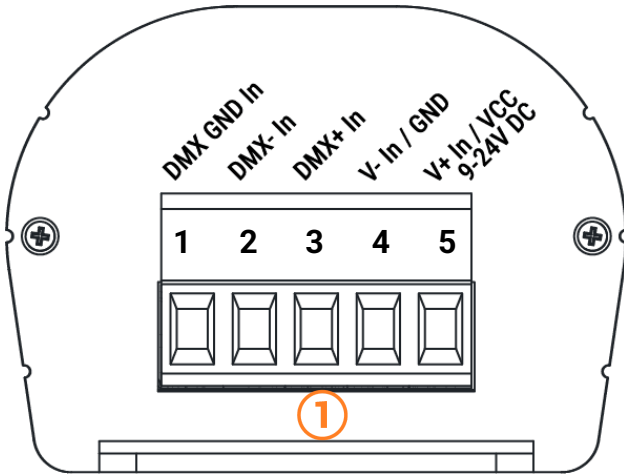
The splitter device takes signal from a DMX point to raise the data signal into 2 identical output ports. DMX signal is boosted, amplified and DMX In signal are raised to transmit data to a longer distance on your DMX installation and long distance wiring. The high voltage protections can secure the installation and protect your lighting and control equipment.

## Main Features

DMX Input	1x512 channels RDM
DMX Output	2x512 channels RDM (insulated + boost)
Ports	DMX 512: 1 in RDM + 2 Out RDM
Chained devices	Up to 16 units
Connector	Screw terminal block 5 pins
Protection and insulation	3KV on DMX, 1.5KV, 0.3A on DC Power
Power Input	9~24V, 0.3A
PSU included	100-240V ; 50/60Hz ; 0.5A ; EURO or US plug
Dimensions (mm)	H : 103 (4.06 in ) / W : 50mm(1.96in) / D : 37,5mm (1.47in)
Net Weight	0.1 Kgs
Gross weight	0.16 Kgs
Power / Consumption	0,43 W
High Voltage Protection	Yes, fuses, diodes, phototransistor, capacitive insulation barrier, isolated DC-DC converter
Housing	Aluminium
Operating environment	Indoor
IP rating	IP40
Storage	keep dry
Operating Temperature	-45~+85°C
Certifications	CE, RoHS
International Warranty	yes, 1 year

# Housing connectivity

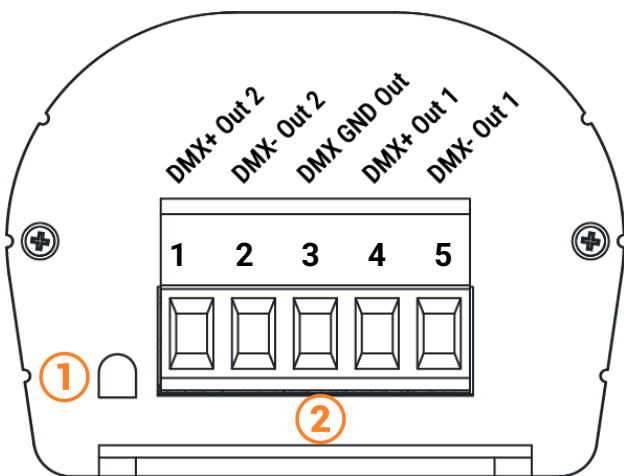
## Front panel - DMX Input



### 1. Terminal Block Connector with screws :

1. Ground DMX Input
2. DMX - Input
3. DMX + Input
4. V- Input / Ground
5. Power Input VCC 9~24V DC

## Back panel - DMX Output



### 1. LED signal

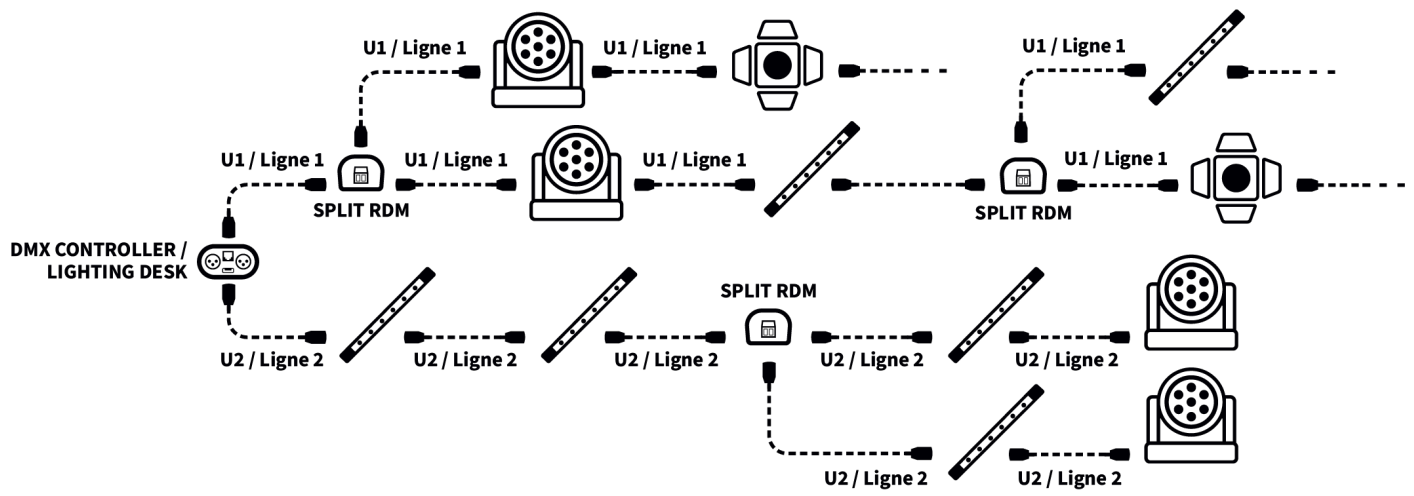
### 2. Terminal Block Connector with screws :

1. DMX2 + Output
2. DMX2 - Output
3. DMX Ground Output
4. DMX1 + Output
5. DMX1 - Output

## USB Signal LED operating states

OFF	Interface not powered (check the connector and the PSU)
ON + Flash x3 Slow	Interface Power On
ON	DMX Data transmit
Flash x3	RDM Data transmit

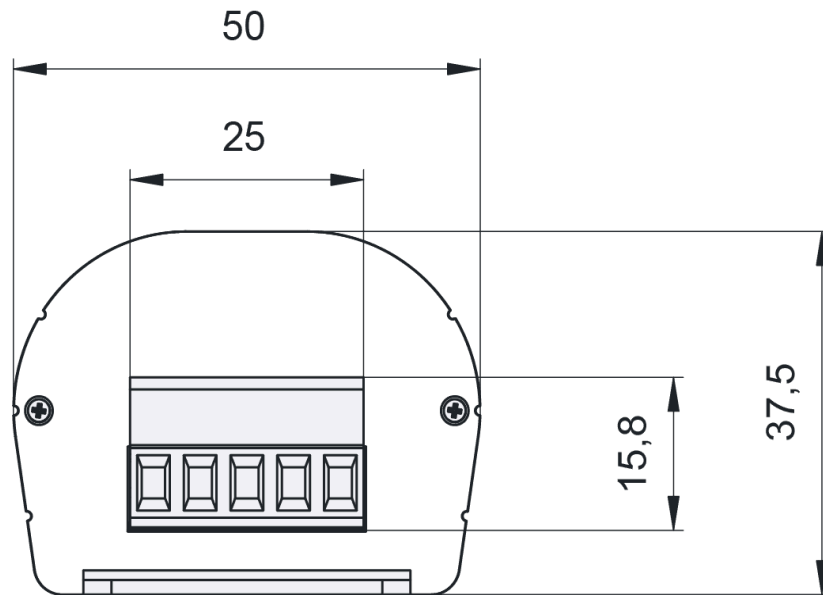
# Wiring diagram



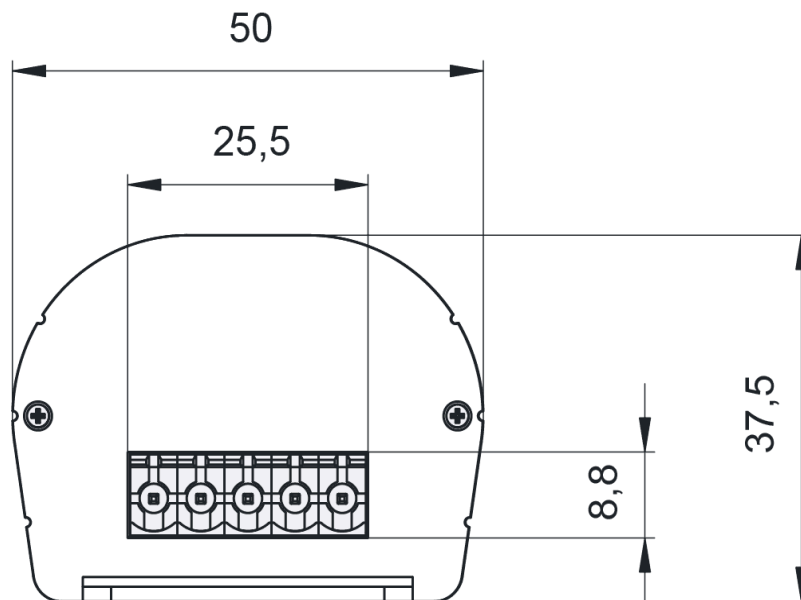
# Housing dimensions

## Front with 5 pins Terminal Block

Dimensions in mm



## Back without 5 pins Terminal Block



# Top

