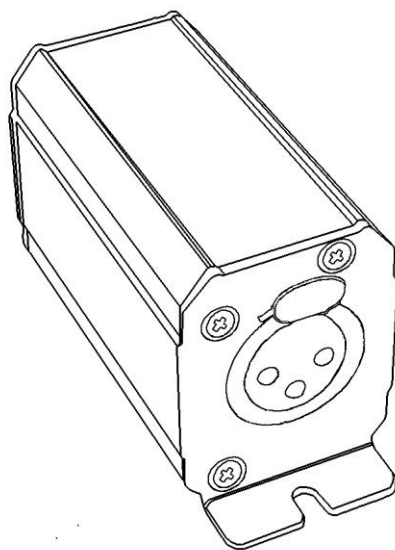


INTERFACES USB-DMX

32 CHANNELS

V.1.1



SUMMARY

32 Channel USB to DMX interfaces.....	3
Hardware technical specifications.....	3
Front Face of the interface	4
Rear Face interface	4
Dimensions of the interface	5
Front face.....	5
Rear face	5
Bottom face	6
Standard DMX 32 installation	7
Recommended DMX 32 installation	7

32 CHANNEL USB TO DMX INTERFACES

HARDWARE TECHNICAL SPECIFICATIONS

Input	USB 2.0 via Mini USB
Number of DMX Outputs	up to 32 on 3 pin XLR (XLR5 optional)
DMX Speed	1 to 45 Hz, MaB, Bk
Stand Alone Mode	Yes, 32 channels, fine DMX channels (16 bits)
Internal Memory	Yes 110 Kb)
Memory Capacity	55 steps with 32 ch.
Infra-red Receiver	No
Dry Contact Triggers	No
Next Scene Trigger Button	No
Power Supply Input	5V via USB
High voltage Protection	Yes
Housing	Strong Aluminum
Infra-Red remote	No
Usb Mode	Yes
Display of signal states	USB LED
Power	2 W
CPU's technology	32 bits
Dimensions	H : 40mm(1.57in) / W : 31mm(1.22in) / D : 75mm (2.96in)
Weight	0.1 Kgs
Package total weight	0.14 Kgs
Color	Black
IP rating	IP20
Place of Use	Indoor
Storage	Keep in dry place
Compatibility	8 and 16 bits DMX fixtures
Operating Temperature	- 25 to +70 C°
Certifications	CE, RoHS, LVD
International Warranty	Yes, 6 months

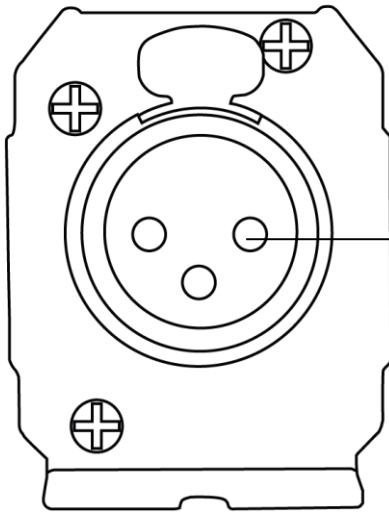
Software features:

LED Player	32 channels (PC + stand alone), No Audio Beat, No Wi-Light
Studio DMX 3D viewer	Demo mode, 20 object / 20 fixtures max., 192 channels max.
Pro DMX	Not compatible
Pixxem	Not compatible
Art-Net Output from PC	No
Wi-Light	No
System Compatibility	Windows, MAC Os X (10.6 and higher) and Linux (64 Bits)
Free Software Updates	Yes

Package Content:

Small package + 1 USB cable + 1 USB to DMX Interface (3 Pin XLR, 5 pins in option)

FRONT FACE OF THE INTERFACE



XLR DMX Signal Connector

Can be configured to Output or Input mode.

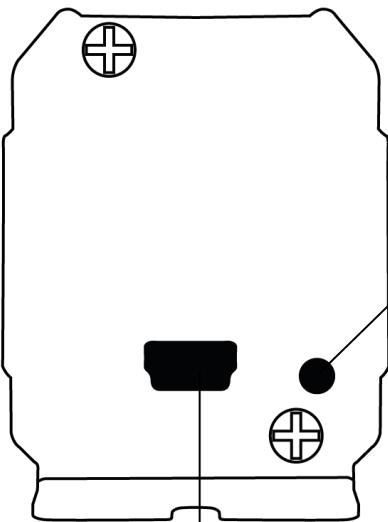
3 Pins

1: Ground

2: Data -

3: Data +

REAR FACE INTERFACE



Green USB Signal LED

OFF: Interface not powered (check the USB cable or the power supply).

ON: Interface powered

Flashing Slow: USB communication ready. Drivers are installed correctly. The software has detected and is communicating with the interface.

Flashing Fast: The Stand Alone mode is activated and is playing a scene. (Available with 2012 and subsequent versions)

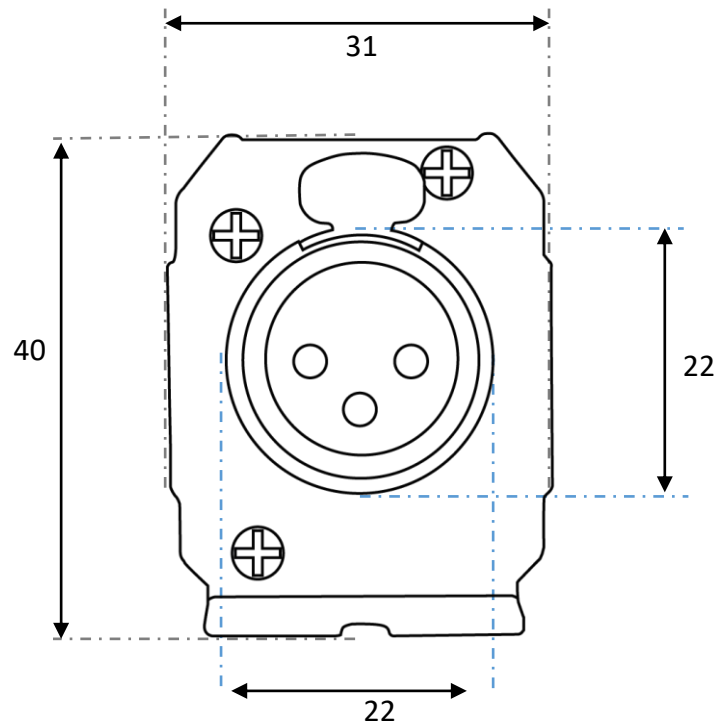
Flashing very fast : The interface is waiting for a new firmware from the software

Mini USB connector and power connector

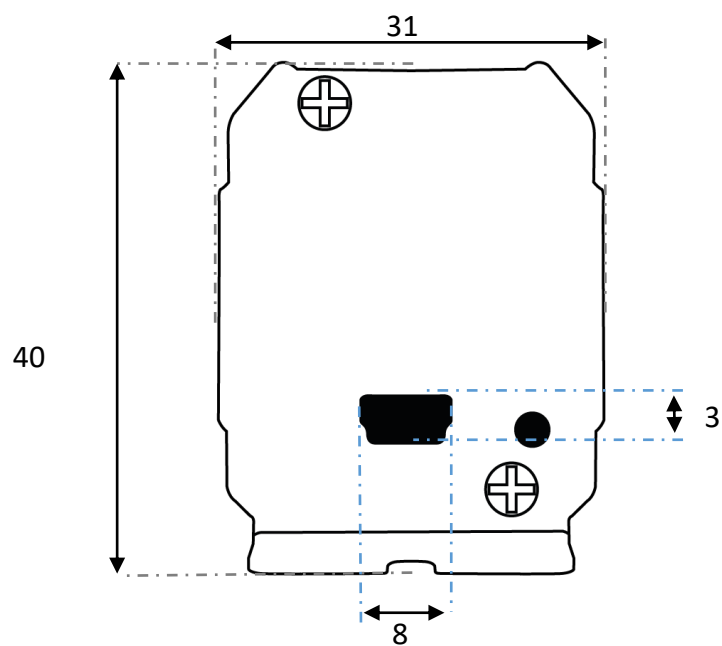
DIMENSIONS OF THE INTERFACE

The metric system is used. The unit is mm.

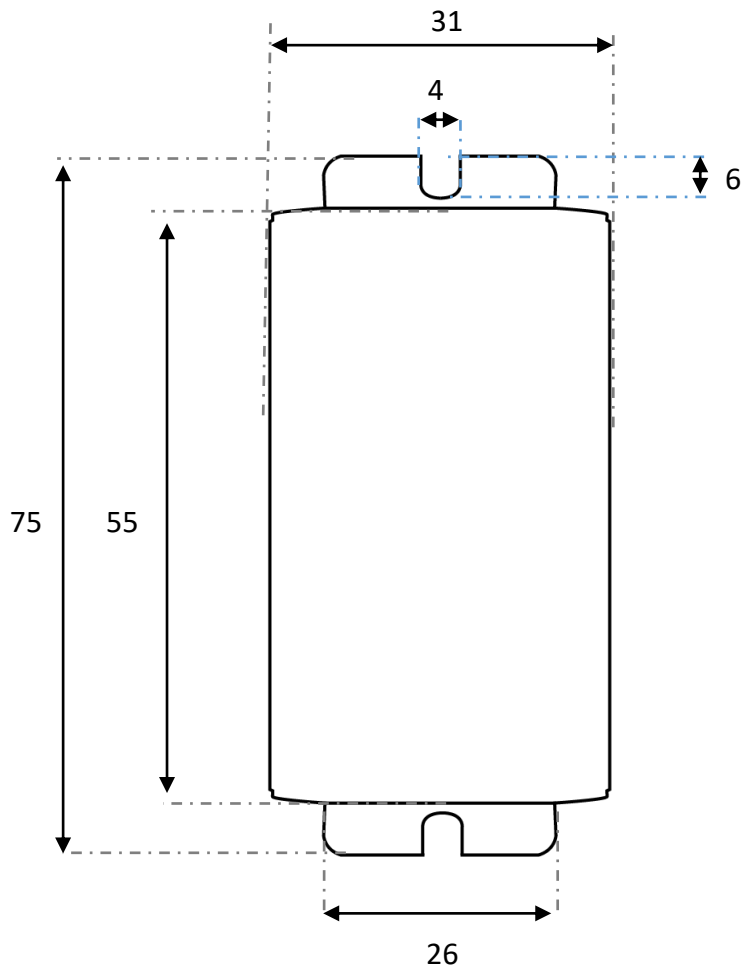
FRONT FACE



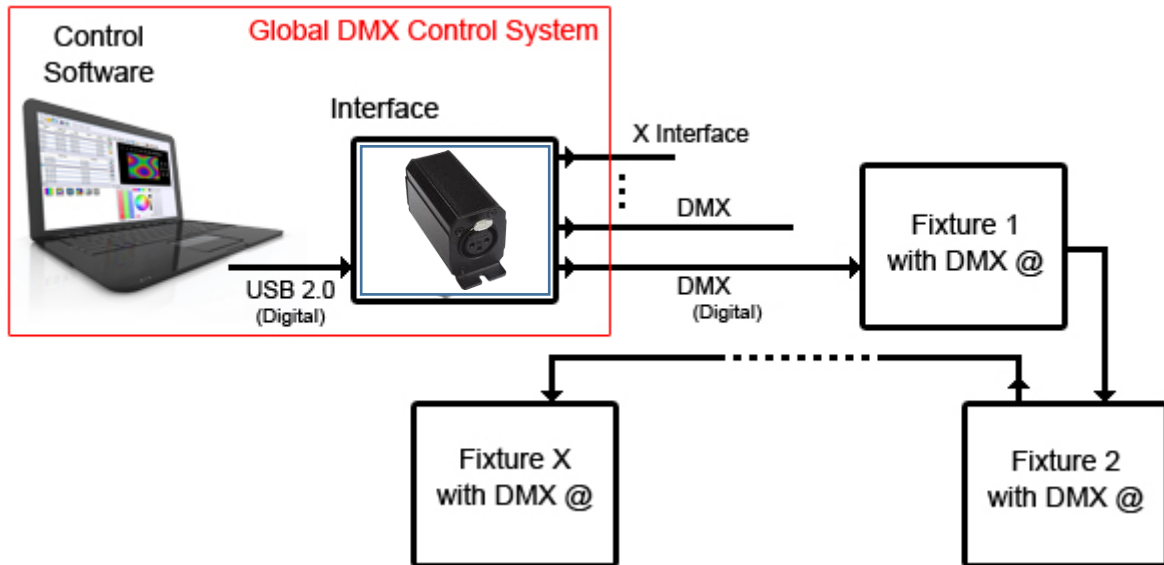
REAR FACE



BOTTOM FACE



STANDARD DMX 32 INSTALLATION



RECOMMENDED DMX 32 INSTALLATION

